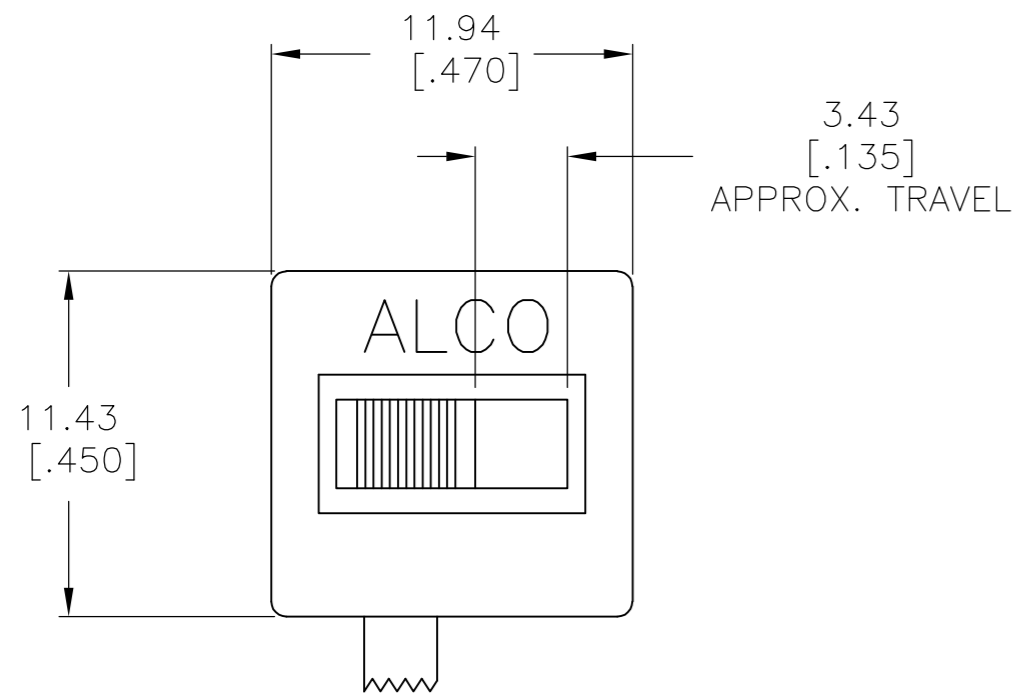


THIS DRAWING IS UNPUBLISHED. RELEASED FOR PUBLICATION
 © COPYRIGHT - By - ALL RIGHTS RESERVED.

LOC		DIST		REVISIONS			
P	LTR	DESCRIPTION		DATE	DWN	APVD	
AD	00	B3	REVISED PER ECO-14-002693	01MAR2014	NK	RH	



SPECIFICATIONS:
 BREAK-BEFORE-MAKE

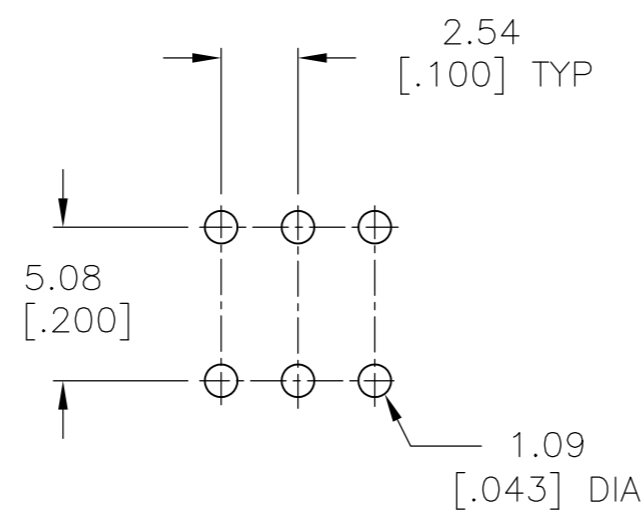
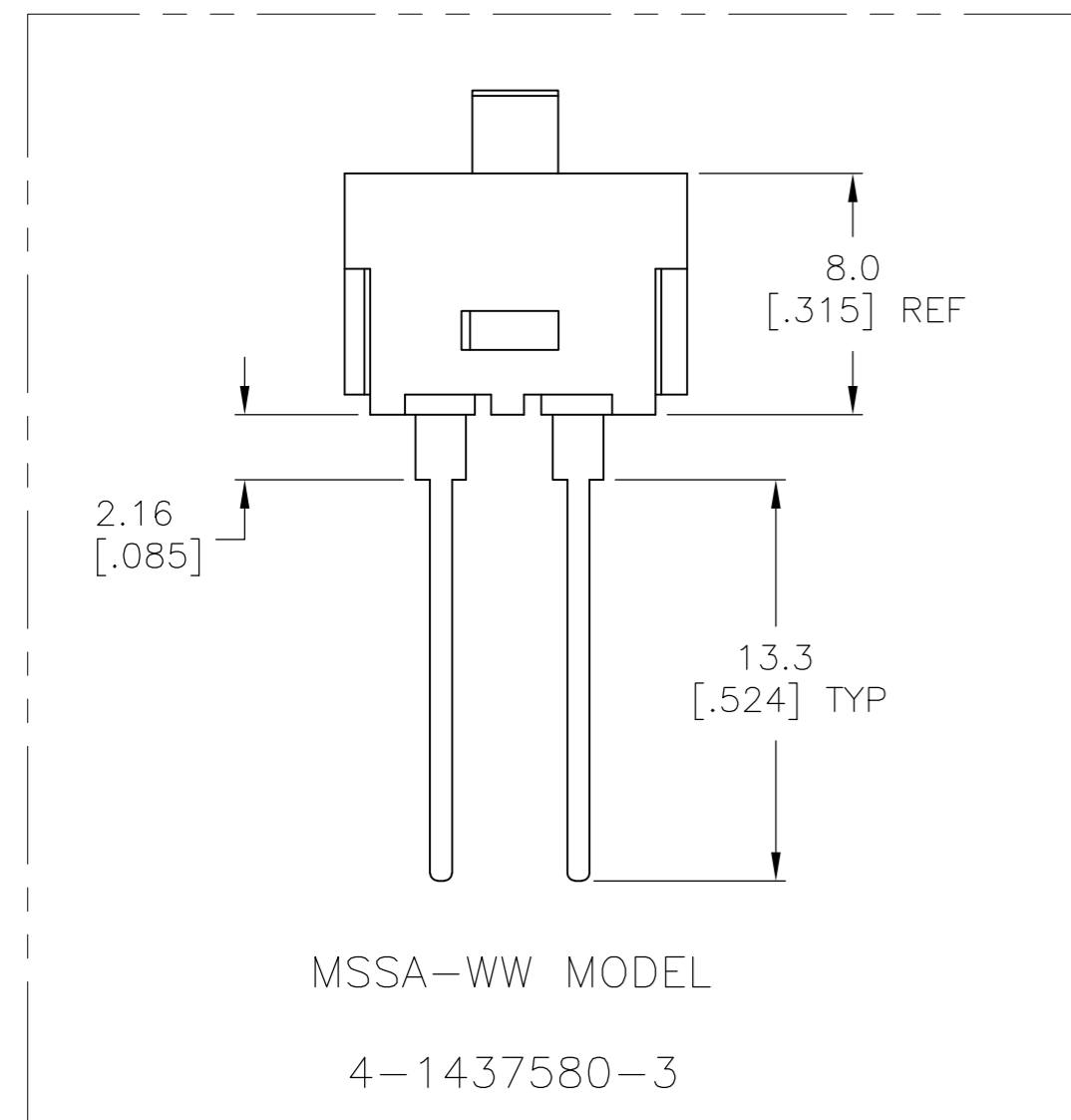
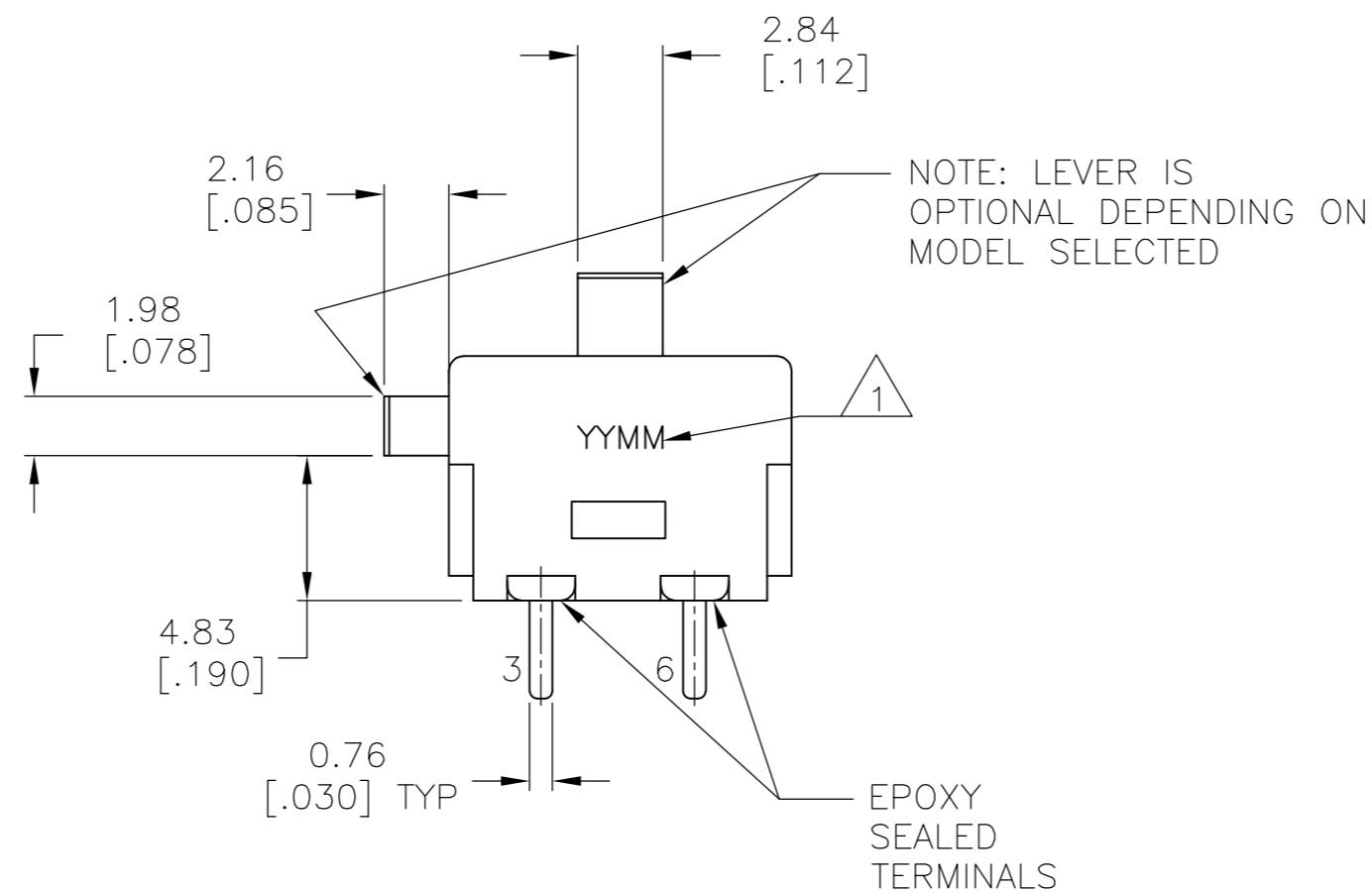
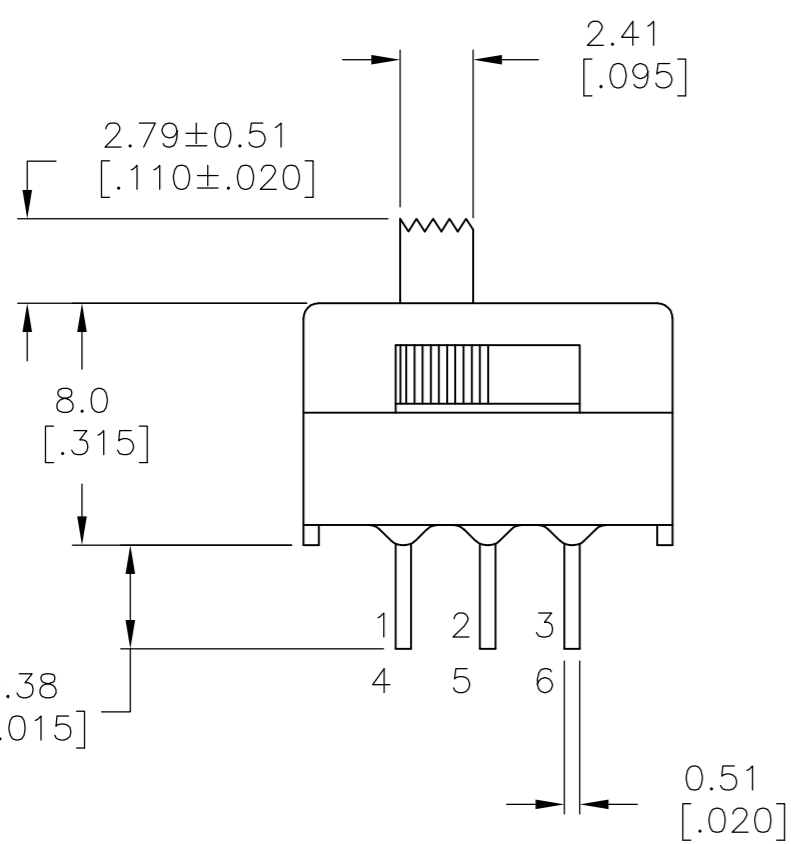
MATERIAL:
 SLIDER, GLASS FILLED NYLON, UL94-HB, BLACK.
 BASE, GLASS FILLED PBT, BLUE.
 COVER, GLASS FILLED PBT, BLUE.
 SLIDE PLATE, STAINLESS STEEL.
 ACTUATOR, PPS, BLACK.
 ROCKER CONTACT(GOLD), COPPER ALLOY, GOLD OVER NICKEL PLATING.
 ROCKER CONTACT(SILVER), COPPER ALLOY PLUS COINED SILVER.
 FIXED CONTACT/TERMINAL (GOLD), COPPER ALLOY, GOLD OVER NICKEL PLATE.
 FIXED CONTACT/TERMINAL(SILVER), COPPER ALLOY PLUS COINED SILVER, GOLD OVER NICKEL PLATE.

ELECTRICAL:
 CONTACT RATING(SILVER)-3A@115V AC OR 1.5A@230V AC
 CONTACT RATING(GOLD)-.4VA MAX@20V DC OR PEAK AC
 INITIAL CONTACT RESISTANCE-20 MILLIOHMS MAX.
 INSULATION RESISTANCE-1,000 MEGOHMS MIN @ 500V DC
 DIELECTRIC STRENGTH- 500 V RMS @ SEA LEVEL.
 LIFE EXPECTANCY- 30,000 OPERATIONS.

MECHANICAL:
 OPERATING FORCE- 600+/-300 GRAMS.
 TRAVEL-.120

ENVIRONMENTAL:
 OPERATING TEMPERATURE- -20°C TO +65°C
 STORAGE TEMPERATURE- -40°C TO +100°C
 SOLDER HEAT RESISTANCE- PER 109-202 CONDITION B.
 SOLDERABILITY PER EIA 364-52, CLASS 2, CATAGORY 1.

DATE CODE MARKING YYMM (YEAR, MONTH).



2-3,5-6	NONE	2-1,5-4	SILVER	MSSA204PI	4-1437580-8
2-3,5-6	NONE	2-1,5-4	SILVER	MSSA204P	4-1437580-7
2-3,5-6	NONE	2-1,5-4	SILVER	MSSA204NRA	4-1437580-6
2-3,5-6	NONE	2-1,5-4	SILVER	MSSA204NI	4-1437580-5
2-3,5-6	NONE	2-1,5-4	SILVER	MSSA204N	4-1437580-4
2-3,5-6	NONE	2-1,5-4	GOLD	MSSA20INGWW	4-1437580-3
2-3,5-6	NONE	2-1,5-4	GOLD	MSSA20INGRA	4-1437580-2
2-3,5-6	NONE	2-1,5-4	GOLD	MSSA20ING	4-1437580-1
	PLATING	ALCO PART NO.	PART NO.		

THIS DRAWING IS A CONTROLLED DOCUMENT.		DWN	22DEC80	TE Connectivity	
		CHK	ROBERT.J.WINGROVE		
		APVD	24DEC80		
DIMENSIONS: mm [INCHES]		TOLERANCES UNLESS OTHERWISE SPECIFIED:		NAME	
0 PLC ± -		1 PLC ± -		SLIDE SWITCH DP & DPRA	
2 PLC ± 0.25[.010]		3 PLC ± -		SIZE	
4 PLC ± -		4 PLC ± -		CAGE CODE	
ANGLES ± -		FINISH		DRAWING NO	
MATERIAL		WEIGHT		RESTRICTED TO	
		CUSTOMER DRAWING		A2 00779 C=4-1437580-1	
		SCALE		SHEET	
		4:1		1 of 1	
				REV B3	